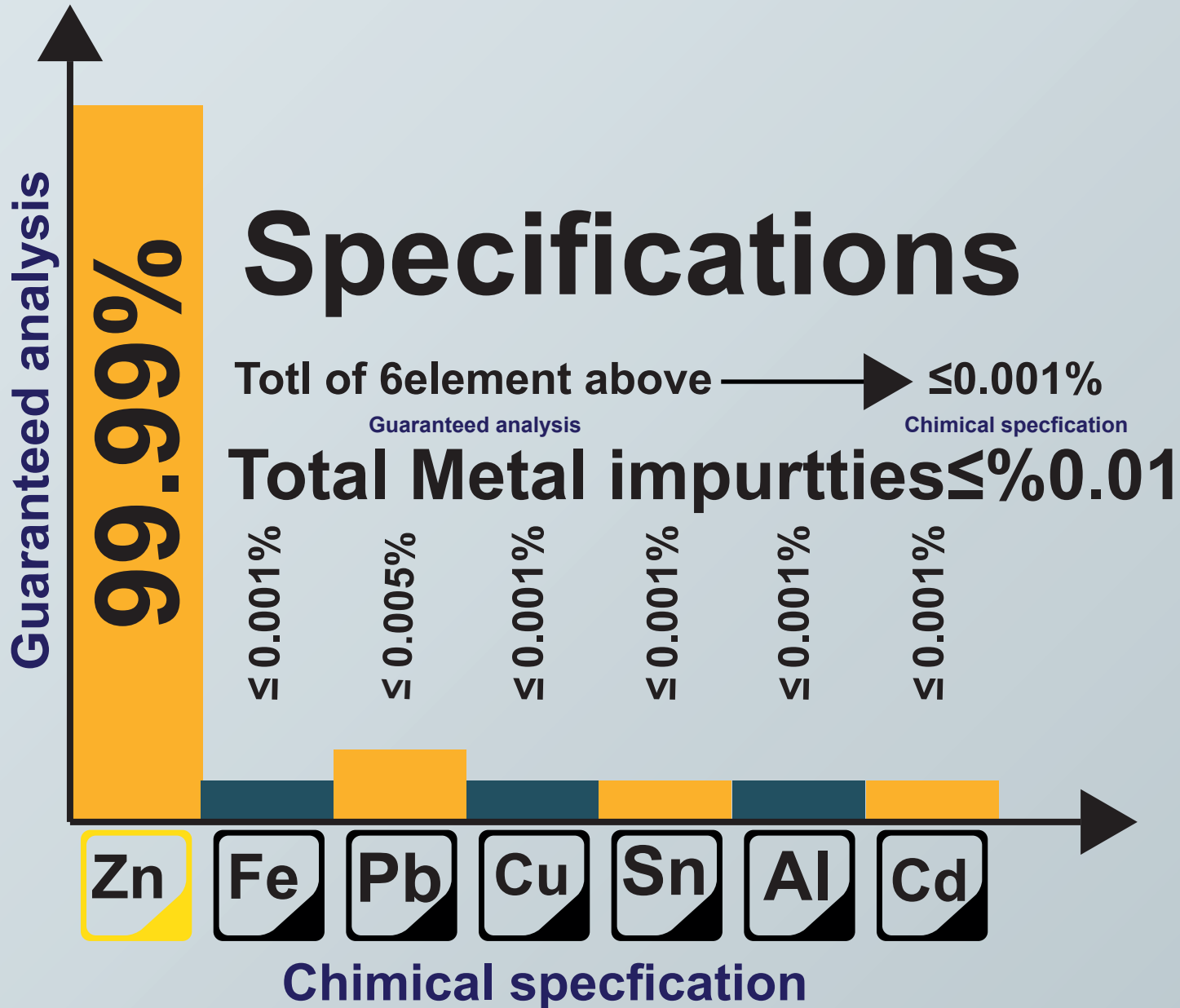


www.asp-zinc.com



**Special High
Grade zinc
(SHG) %99.99**



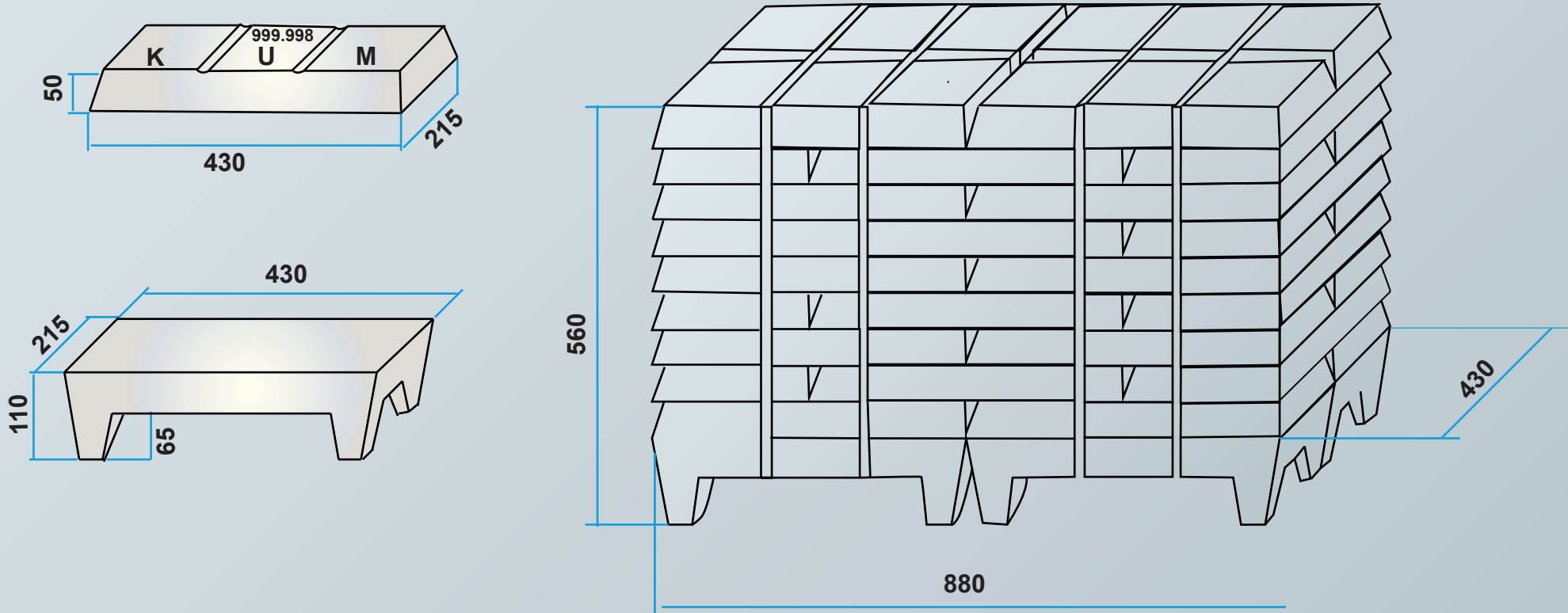


Analyze



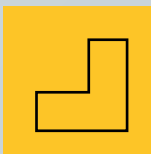
Weight

Sape /packing	Normal weight(in Kg)	Dimension(in mm)
Slab	25±1	400*200*50
Slab bundle (40 slabs per bundle)	1000±50	800*400*600



Zinc Ingot Properties (Theoretical)

	Property	Value	
>	Molecular Weight	65.38	<
>	Young's Modulus	108 GPa	<
>	Appearance	Shiny silvery-grey metal	<
>	Melting Point	420 °C	<
>	Boiling Point	907 °C	<
>	Density	7.14 g/cm ³ (25 °C)	<
>	Electrical Resistivity	59.0 nΩ·m(25 °C)	<
>	Electronegativity	1.65 Paulings	<
>	Heat of Fusion	7.32 kJ/mol	<
>	Poisson's Ratio	0.25	<
>	Specific Heat	0.39 J/g·°C(25 °C)	<
>	Thermal Conductivity	116 W/(m·K)	<
>	Thermal Expansion	30.2 μm/(m·K) (25 °C)	<



Cost of zinc

1

Galvanized Industries

2

Zinc oxide and powder industries

3

Zamak Industries

4

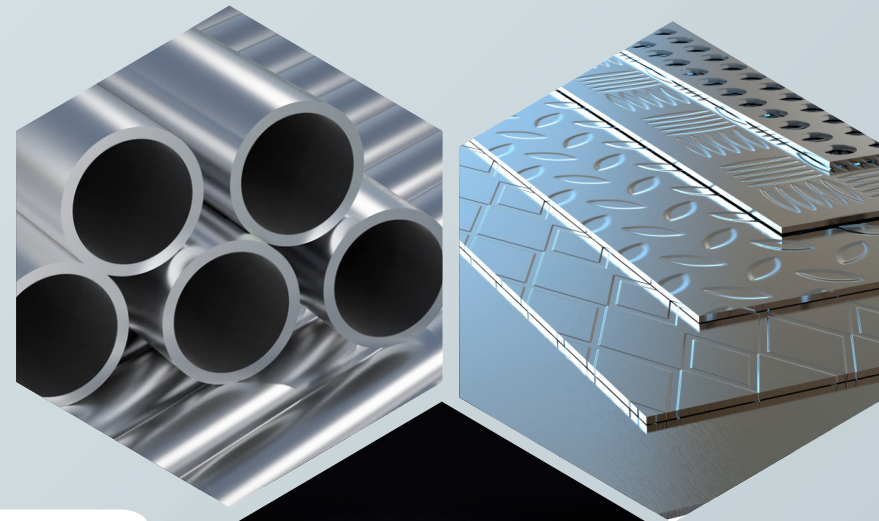
Pharmaceutical and Health Industries

5

Ammunition and alloy industries

6

Zinc anode production





The leading exporter
of 2021-2022



Registered brand
of the company



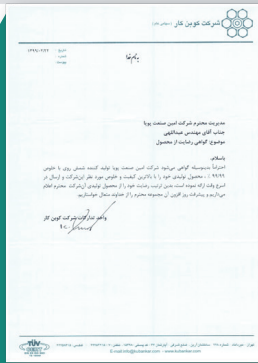
Registered brand
of the company



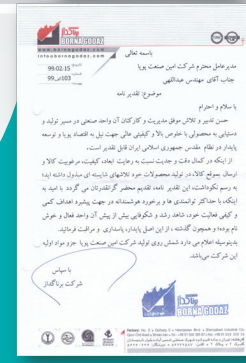
Standard license



Acknowledgements



Acknowledgements







+98 0912 195 2509



www.asp-zinc.com



@amin_sanat_pouya



asp.zinc@yahoo.com



+98 086 33 57 32 28



+98 086 33 57 32 58



Iran. Markazi. Industrial Zone 2th Arghavan 3th St. Amin Sanaat Pouya Co

